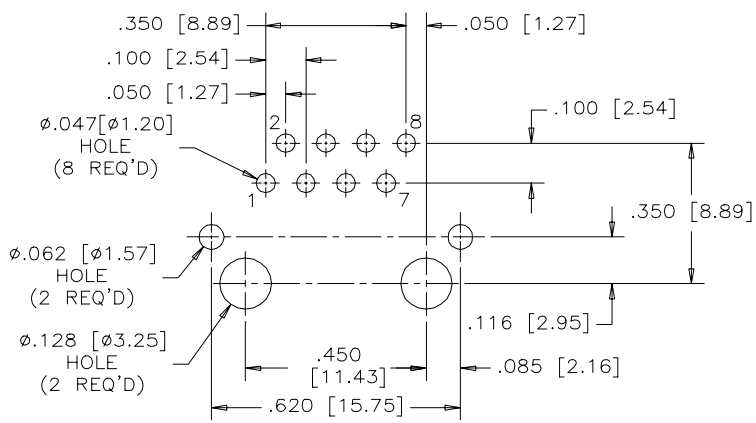
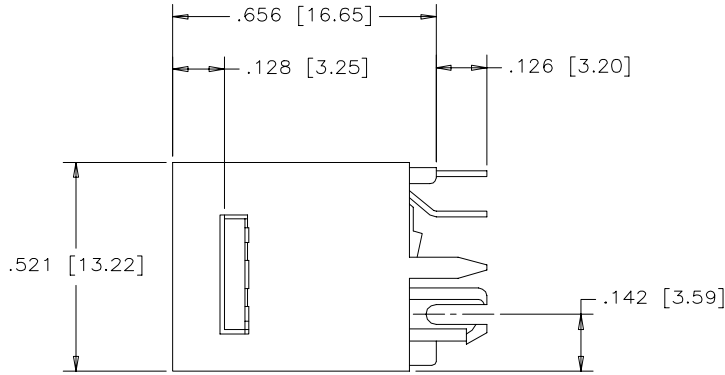
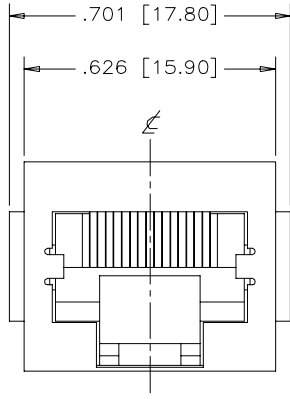
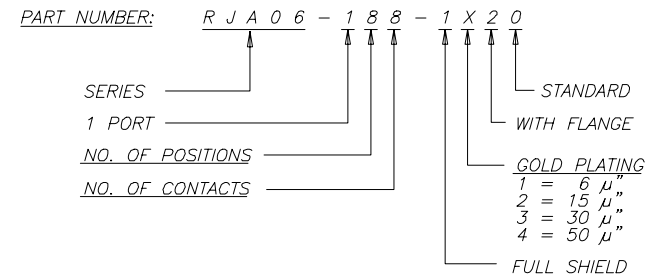
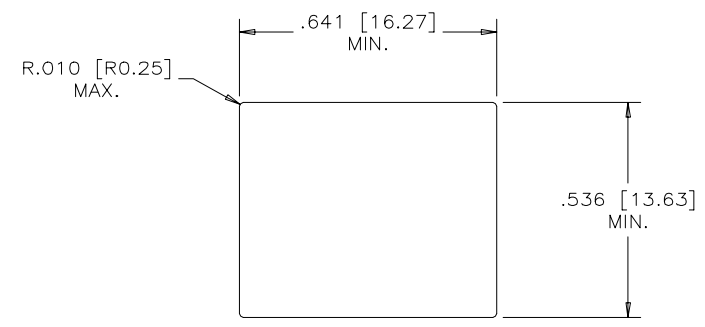


REVISIONS				
SYM	ZONE	ECN, ERN NO.	DATE	APPRD.
A		WAS P849CF	00/01/19	

THIS IS A CAD DRAWING. DO NOT MANUALLY REVISE.



RECOMMENDED P.C.B. LAYOUT
(COMPONENT SIDE OF BOARD)



- MATERIALS:**
- HOUSING: THERMOPLASTIC POLYESTER
FLAMMABILITY RATING UL94V-0
COLOUR: BLACK
 - CONTACTS: PHOSPHOR BRONZE C5210.
GOLD PLATING (PER P/N TABLE)
OVER NICKEL,
TIN/LEAD TAILS
 - SHIELD: COPPER ALLOY, TIN-LEAD ALLOY PLATED

DRAWN R.PIKE	DATE 00/01/19
DESIGNED	
CHECKED A.KARIR	00/01/19
I. E. APPRD.	
Q. A. APPRD.	
DWG. APPRD.	
ENG. REL. NO.	
REF.	
DIMENSIONS ARE IN INCHES [mm]	CODE ID. NO. 03554

Amphenol Canada Corp.	
TITLE RJA06 SERIES, 8 POSITION 8 CONTACT, VERTICAL MOUNT, WITH SHIELD, AND FLANGE	
DWG	DRAWING NO. P-RJA06-188-1X20
REV.	A
SCALE	WT. _____ SURF. _____ SHEET 1 OF 1

THIS DOCUMENT CONTAINS PROPRIETARY INFORMATION AND SUCH INFORMATION MAY NOT BE DISCLOSED TO OTHERS FOR ANY PURPOSE OR USED FOR MANUFACTURING PURPOSES WITHOUT WRITTEN PERMISSION FROM AMPHENOL CANADA CORP.